

ELMARK[®]

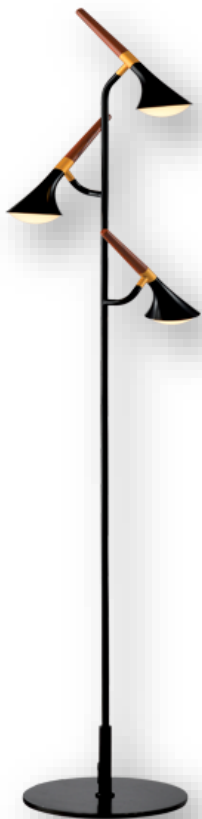
The Brand of Electricity

DUNCAN SERIES



GENERAL INFORMATION »

- ∴ Rated voltage: ~230VAC
- ∴ Power: 5W; 15W; 30W; 45W
- ∴ Power supply: DC device - driver
- ∴ LED: Included
- ∴ Light source: Epistar SMD2835
- ∴ Colour temperature: 2800-3200K
- ∴ Colour rendering index: Ra≥80
- ∴ Switch on/off: >15 000
- ∴ Material: Aluminium + Iron + PC
- ∴ Color of body: Matte black and wood
- ∴ Protection against dust and moisture: IP40



FEATURES »

- ∴ Stylish and impressive design.
- ∴ Good colour and brightness.
- ∴ No ultraviolet and infrared rays
- ∴ Resistant to shock and vibration stable body
- ∴ Environmentally friendly - no mercury and lead
- ∴ Low heat emission



AREAS OF APPLICATION »

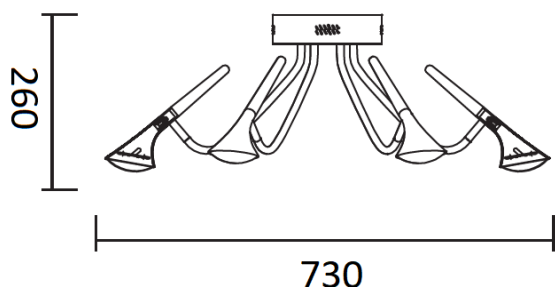
- ∴ Suitable for residential lighting, hotels, restaurants, office, commercial lighting and similar environments

PRODUCT DETAILS »

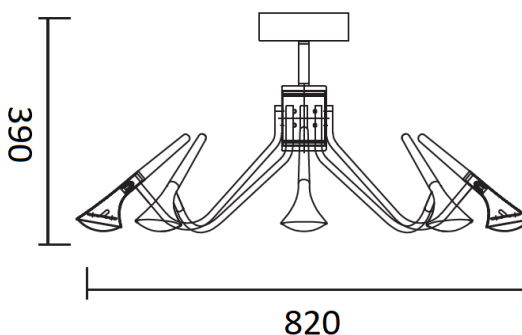
Catalogue number	Description	Number of lamps	Watt (W)	Whole fixture lumens (lm)	Colour temp. (K)	Colour
955DUNCAN1W	Wall lamp	1	5	350	2800-3200	Matte black & wood
955DUNCAN1T	Table lamp	1	5	350	2800-3200	Matte black & wood
955DUNCAN3F	Floor lamp	3	15	1050	2800-3200	Matte black & wood
955DUNCAN6	Chandelier	6	30	2100	2800-3200	Matte black & wood
955DUNCAN9	Chandelier	9	45	3150	2800-3200	Matte black & wood

DIMENSIONS »

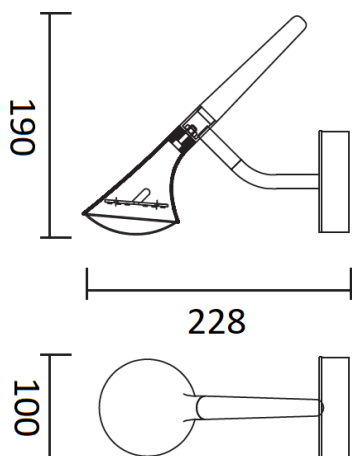
955DUNCAN6



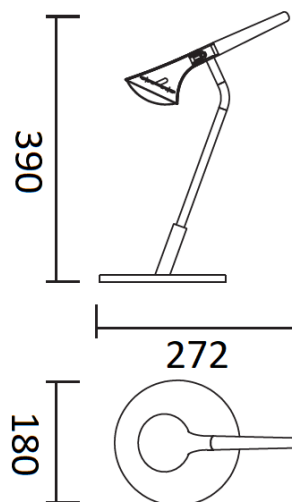
955DUNCAN9



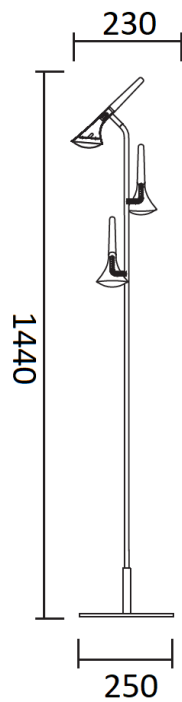
955DUNCAN1W



955DUNCAN1T




955DUNCAN3F



ADDITIONAL INFORMATION »

ELMARK lighting **DUNCAN**

 This luminaire contains built-in LED lamps.

A++

A+

A

B

C


D

E

}

LED

The lamps cannot be changed in the luminaire.

874/2012 

Catalogue number	Barcode	Packing/Box (pcs)
955DUNCAN1W	3800131230034	1/10
955DUNCAN1T	3800131230041	1/2
955DUNCAN3F	3800131230058	1/1
955DUNCAN6	3800131230065	1/1
955DUNCAN9	3800131230027	1/1

